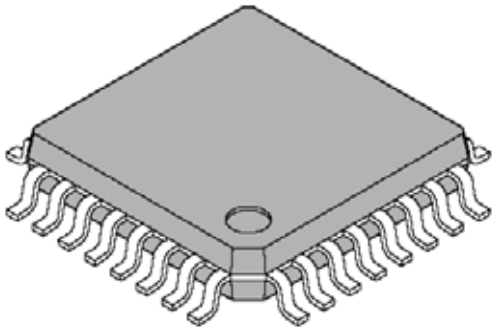
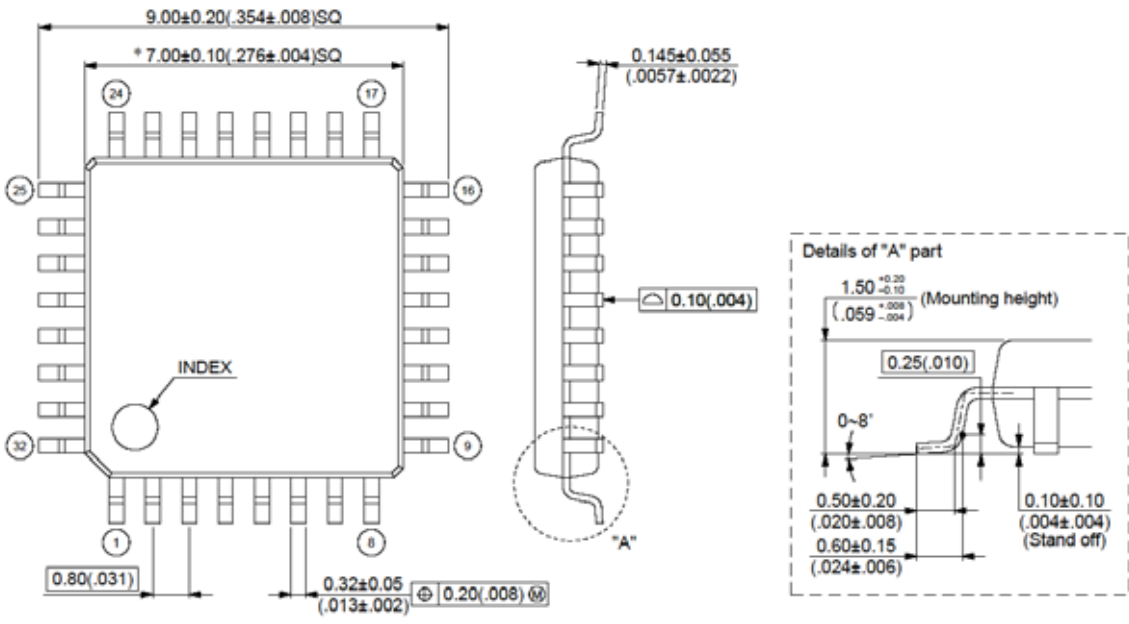


RPG100 PACKAGE

<p>32-pin plastic LQFP</p> 	Lead pitch	0.80mm
	Package width x package length	7 x 7 mm
	Lead shape	Gullwing
	Sealing method	Plastic mold
	Mounting height	1.70 mm MAX

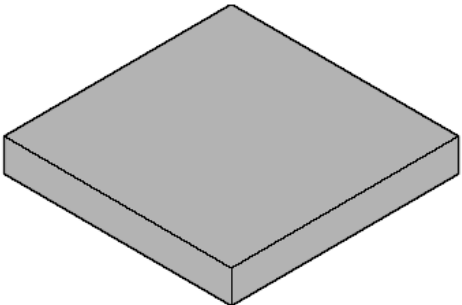
32-pin plastic LQFP

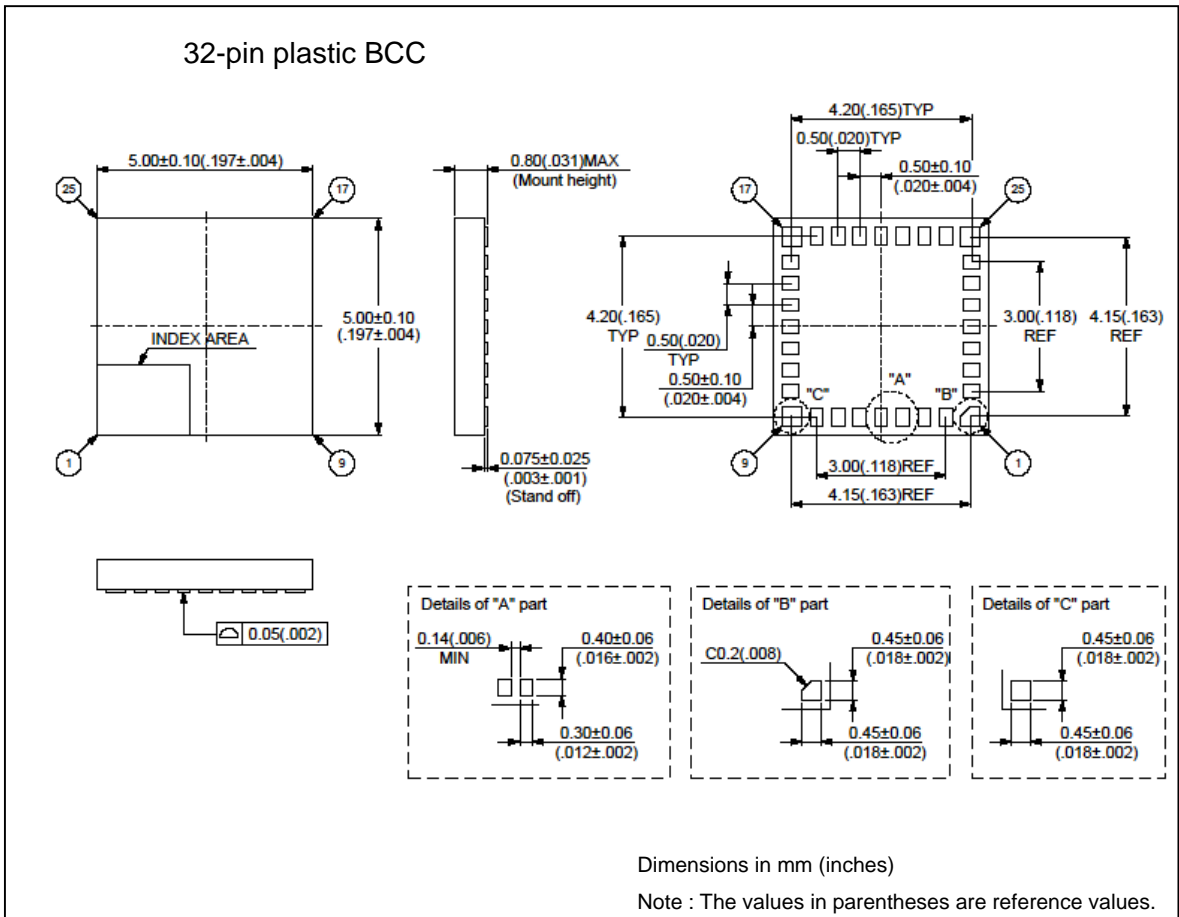
Note1) *: These dimensions do not include resin protrusion.
 Note2) Pins width and pins thickness include plating thickness.
 Note3) Pins width do not include tie bar cutting remainder.



Dimensions in mm (inches)
 Note : The values in parentheses are reference values.

RPG100B PACKAGE

<p>32-pin plastic BCC</p> 	Lead pitch	0.50mm
	Package width x package length	5 x 5 mm
	Sealing method	Plastic mold
	Mounting height	0.80 mm MAX



The contents of this document are subject to change without notice.
 Customers are advised to consult with FDK sales representatives before ordering.
 FDK is unable to assume responsibility for infringement of any patent rights or other rights of third parties arising from the use of the information or package dimensions in this document.